



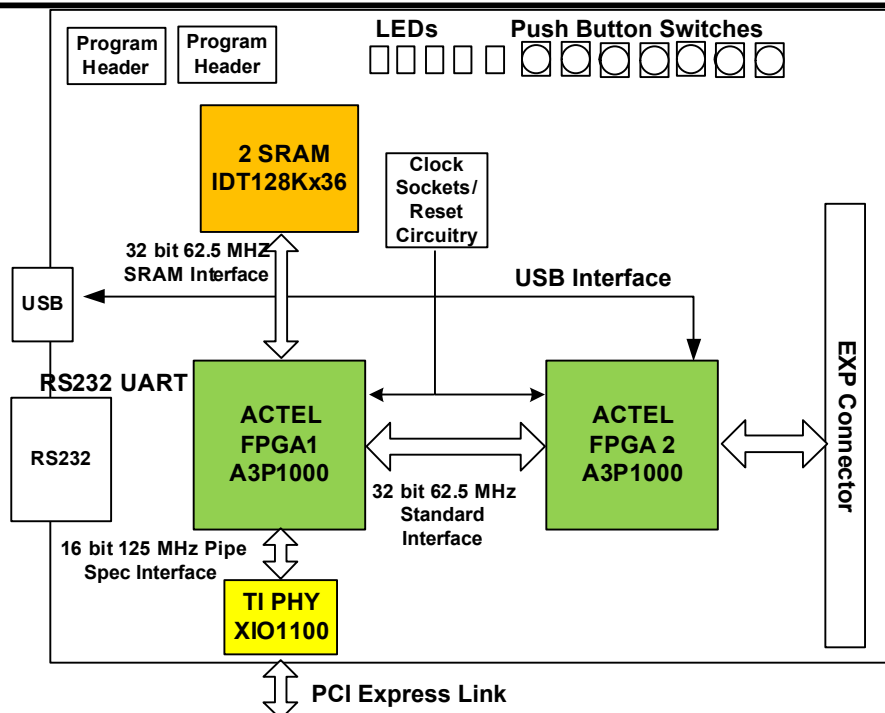
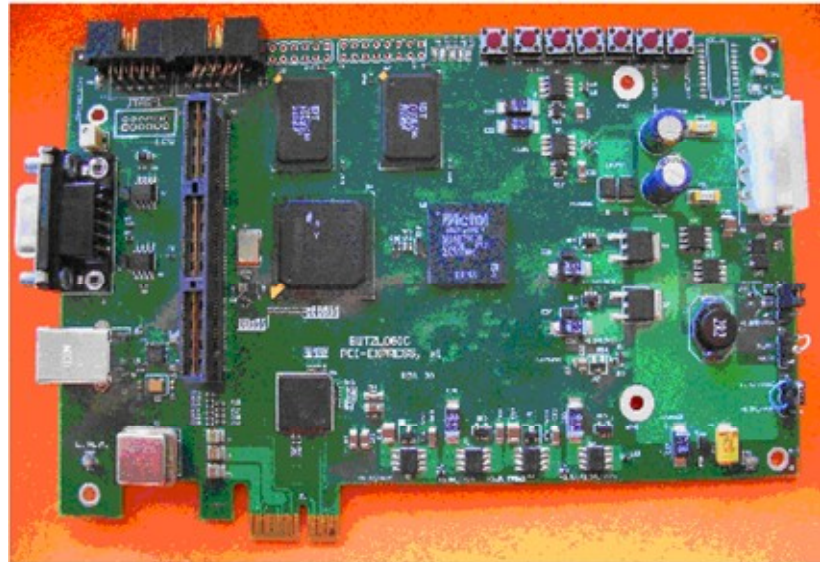
PCI Express Demo Board

Product Features

General Features

- PCI Express X1 Interface
- Actel ProASIC3 PCIe FPGA
- TI XIO1100 PHY Chip
- 16-bit Intel PIPE Interface
- Second FPGA for Custom User Logic
- EXP Expansion Connector
- External RS232 Port
- External USB Port
- 2 IDT71V2576 128x36 SRAMs
- Debug LEDs and Push-button Switches.
- JTAG Programming Headers
- External Power Supply Connector.

PCI EXPRESS x1 DEMO CARD



Interface Descriptions

- PCI Express x1 Interface to TI-XIO1100
- 16-bit Intel PIPE Interface from TI XIO1100 to FPGA1
- 32-bit SRAM Interface to FPGA1
- 32 bit Interface from FPGA1 to FPGA2
- External RS232 Port on FPGA1
- External USB Port on FPGA2
- EXP Connector on FPGA2