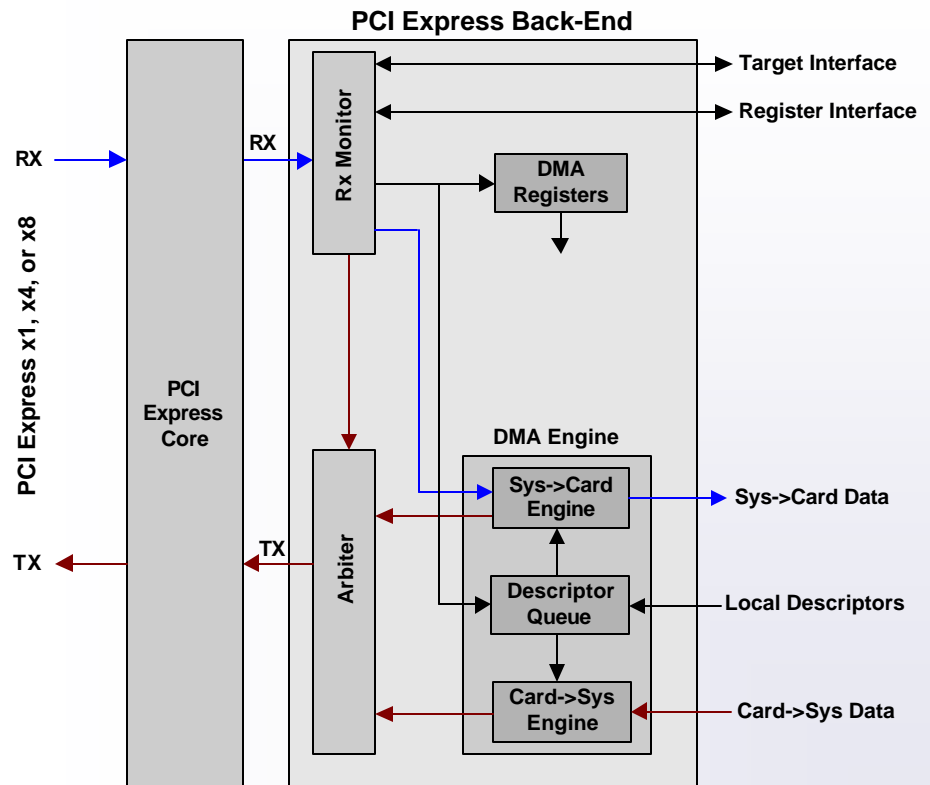


Product Highlights

- Combines Northwest Logic's PCI Express Core and PCI Express Back-End for a complete, easy-to-use PCI Express Solution
- Built-in high performance, multi-channel DMA Engine and simple Target and Register interfaces
- x1, x4, x8 lane versions available
- Comprehensive PCI Express PHY support
- Flexible data buffer sizing
- Complete error-handling support
- Comprehensive status port
- Achieves push-button timing with minimal routing constraints
- Provided with a comprehensive Verification Suite
- Source code available
- Customization and Integration services available
- PCI Express™ Base Specification Revision 1.1 compliant
- Fully validated including PCI-SIG, nSys NVS, Catalyst SpekChek, and Lecroy CTS certification

Block Diagram



Product Overview

The Northwest Logic PCI Express Complete Core combines the PCI Express Core and PCI Express Back-End to form a complete, easy-to-use PCI Express solution.

The PCI Express Back-End implements a complete back-end design which includes:

- High-performance, multi-channel DMA Engine which can be easily connected to SDRAM and other data sources
- Complete Target Interface including packet decoding and generation of read completions while providing a simple user interface
- Very simple, fixed-timing Register Interface for connection to user registers

Using the PCI Express Complete Core eliminates the need for the user to implement their own back-end design significantly reducing development time and risk.

The PCI Express Back-End can also be licensed separately in source code enabling the user to customize it to their specific requirements.

The core is provided with the PCI Express Verification Suite which emulates a Root Complex device enabling end-to-end simulation of a PCI Express design prior to use in hardware.

Also available from Northwest Logic are PCI Express Development Boards which can be used to quickly prototype a complete PCI Express system. The PCI Express Reference Design, Driver and GUI are provided with the board in binary.

Northwest Logic also provides customization and integration services to produce complete logic designs.

Product Deliverables:

- Core (Netlist or Source Code)
- Comprehensive Verification Suite (Source Code)
- Complete Documentation
- Expert Technical Support & Maintenance Updates