

**HB0400**

**CoreJESD204BTX v3.0**





**Microsemi Corporate Headquarters**

One Enterprise, Aliso Viejo,  
CA 92656 USA

Within the USA: +1 (800) 713-4113

Outside the USA: +1 (949) 380-6100

Sales: +1 (949) 380-6136

Fax: +1 (949) 215-4996

E-mail: [sales.support@microsemi.com](mailto:sales.support@microsemi.com)

[www.microsemi.com](http://www.microsemi.com)

© 2016 Microsemi Corporation. All rights reserved. Microsemi and the Microsemi logo are trademarks of Microsemi Corporation. All other trademarks and service marks are the property of their respective owners.

Microsemi makes no warranty, representation, or guarantee regarding the information contained herein or the suitability of its products and services for any particular purpose, nor does Microsemi assume any liability whatsoever arising out of the application or use of any product or circuit. The products sold hereunder and any other products sold by Microsemi have been subject to limited testing and should not be used in conjunction with mission-critical equipment or applications. Any performance specifications are believed to be reliable but are not verified, and Buyer must conduct and complete all performance and other testing of the products, alone and together with, or installed in, any end-products. Buyer shall not rely on any data and performance specifications or parameters provided by Microsemi. It is the Buyer's responsibility to independently determine suitability of any products and to test and verify the same. The information provided by Microsemi hereunder is provided "as is, where is" and with all faults, and the entire risk associated with such information is entirely with the Buyer. Microsemi does not grant, explicitly or implicitly, to any party any patent rights, licenses, or any other IP rights, whether with regard to such information itself or anything described by such information. Information provided in this document is proprietary to Microsemi, and Microsemi reserves the right to make any changes to the information in this document or to any products and services at any time without notice.

**About Microsemi**

Microsemi Corporation (Nasdaq: MSCC) offers a comprehensive portfolio of semiconductor and system solutions for aerospace & defense, communications, data center and industrial markets. Products include high-performance and radiation-hardened analog mixed-signal integrated circuits, FPGAs, SoCs and ASICs; power management products; timing and synchronization devices and precise time solutions, setting the world's standard for time; voice processing devices; RF solutions; discrete components; enterprise storage and communication solutions, security technologies and scalable anti-tamper products; Ethernet solutions; Power-over-Ethernet ICs and midspans; as well as custom design capabilities and services. Microsemi is headquartered in Aliso Viejo, Calif., and has approximately 4,800 employees globally. Learn more at [www.microsemi.com](http://www.microsemi.com).

# 1 Revision History

---

The revision history describes the changes that were implemented in the document. The changes are listed by revision, starting with the most current publication.

## 1.1 Revision 5.0

Updated changes related to CoreJESD204BTX v3.0. SAR (83378): Add support for 8 lanes.

## 1.2 Revision 4.0

Updated changes related to CoreJESD204BTX v3.0.

## 1.3 Revision 3.0

Updated changes related to CoreJESD204BTX v2.3.

## 1.4 Revision 2.0

Updated changes related to CoreJESD204BTX v2.2.

## 1.5 Revision 1.0

Revision 1.0 was the first publication of this document. Created for CoreJESD204BTX v2.0.

# Contents

---

<b>1</b>	<b>Revision History</b>	<b>3</b>
1.1	Revision 5.0	3
1.2	Revision 4.0	3
1.3	Revision 3.0	3
1.4	Revision 2.0	3
1.5	Revision 1.0	3
<b>2</b>	<b>Introduction</b>	<b>8</b>
2.1	Overview	8
2.2	JESD204BTX Blocks	8
2.2.1	Alignment Character Generator	8
2.2.2	ILA Sequence Generator	9
2.2.3	SYNC Signal Decoding	9
2.2.4	Clock Generator	9
2.2.5	8B10B Encoder	10
2.2.6	TX Controller	10
2.2.7	Scrambler	10
2.3	Features	11
2.4	Core Version	11
2.5	Supported Families	11
2.6	Device Utilization and Performance	11
<b>3</b>	<b>Functional Description</b>	<b>13</b>
3.1	Data Link Layer	13
3.2	JESD204B Sub-classes	14
3.2.1	Sub-class 0	14
3.2.2	Sub-class 1	14
3.2.3	Sub-class 2	14
3.3	SERDES Interface	14
<b>4</b>	<b>Interface</b>	<b>15</b>
4.1	Configuration Parameters	15
4.2	I/O Signals	16
<b>5</b>	<b>Tool Flow</b>	<b>19</b>
5.1	License	19
5.1.1	RTL	19
5.2	SmartDesign	19
5.3	Configuring CoreJESD204BTX in SmartDesign	20
5.4	Simulation Flows	21
5.5	Synthesis in Libero	21
5.6	Place-and-Route in Libero	21
<b>6</b>	<b>Testbench</b>	<b>22</b>
<b>7</b>	<b>Product Support</b>	<b>23</b>
7.1	Customer Service	23
7.2	Customer Technical Support Center	23

7.3	Technical Support .....	23
7.4	Website .....	23
7.5	Contacting the Customer Technical Support Center .....	23
7.5.1	Email .....	23
7.5.2	My Cases .....	23
7.5.3	Outside the U.S. ....	23
7.6	ITAR Technical Support .....	24

# Figures

---

Figure 1	CoreJESD204BTX Block Diagram .....	8
Figure 2	Data Link Layer .....	13
Figure 3	CoreJESD204BTX I/O Signal Diagram (4 lanes) with Encoder .....	16
Figure 4	CoreJESD204BTX I/O Signal Diagram (4 lanes) without Encoder .....	16
Figure 5	CoreJESD204BTX Full I/O View (4 lanes) with Encoder .....	19
Figure 6	CoreJESD204BTX Full I/O View (4 lanes) without Encoder .....	19
Figure 7	CoreJESD204BTX SmartDesign Configuration GUI .....	20
Figure 8	CoreJESD204BTX User Testbench .....	22

# Tables

---

Table 1	CoreJESD204BTX Utilization for Data Width 16 With Encoder .....	11
Table 2	CoreJESD204BTX Utilization for Data Width 32 With Encoder .....	12
Table 3	CoreJESD204BTX Utilization for Data Width 64 With Encoder .....	12
Table 4	CoreJESD204BTX Utilization for Data Width 16 Without Encoder .....	12
Table 5	CoreJESD204BTX Utilization for Data Width 32 Without Encoder .....	12
Table 6	CoreJESD204BTX Utilization for Data Width 64 Without Encoder .....	12
Table 7	CoreJESD204BTX Parameters and Generics Descriptions .....	15
Table 8	CoreJESD204BTX I/O Signal Descriptions .....	17

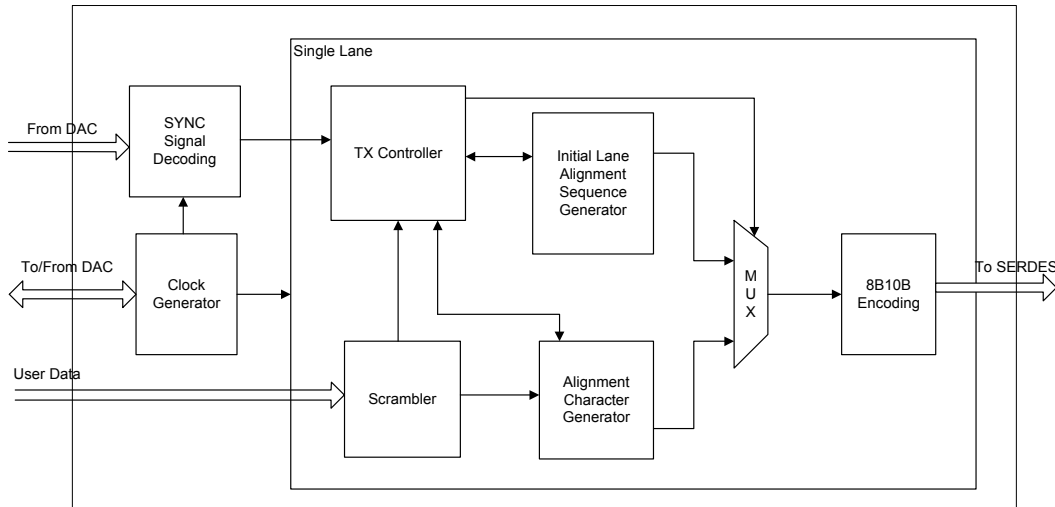
## 2 Introduction

### 2.1 Overview

CoreJESD204BTX is the transmitter interface of the JEDEC JESD204B standard. This specification describes a high speed serial interface for data converters.

Figure 1 shows the CoreJESD204BTX block diagram of a single lane.

Figure 1 • CoreJESD204BTX Block Diagram



### 2.2 JESD204BTX Blocks

CoreJESD204BTX consists of the blocks described below:

#### 2.2.1 Alignment Character Generator

This block generates the alignment characters and frame position signals.

During a synchronization request this block generates the K28.5 (/K/) characters used during code group synchronization (CGS) state. The receiver device aligns its bit boundaries to these /K/ characters and when it detects four or more consecutive /K/ characters it will no longer request synchronization. After CGS this block monitors the frame position and asserts the SOF and SOMF outputs to indicate when the frame is at the start of a frame or multi-frame.

After the Initial Lane Alignment (ILA) sequence frame alignment is monitored via alignment characters. The Alignment Character Generator (ACG) replaces octets under certain conditions at the end for a frame with these alignment characters. The alignment character K28.7 (/F/) is used to mark end-of-frame and the alignment character K28.3 (/A/) is used to mark end-of-multi-frame. When the receiver device detects one of these alignment characters it reconstructs the octet back into its original value, therefore no extra bandwidth is required for frame alignment. Replacement characters are generated based on the configuration of scrambling as enabled (SCR=1) or disabled (SCR=0). When scrambling is disabled ACG replaces the user data with an alignment character when the last octet in the current frame equals the last octet in the previous frame, but only if character replacement did not occur in the previous frame or if the current frame is the end of a multi-frame. When scrambling is enabled ACG replaces the user data with the alignment character /F/ when the last scrambled octet in the current frame equals 0xFC but only if the character replacement did not occur in the previous frame and it is not the end of a multi-frame. If the last scrambled octet of the current frame equals 0x7C and is the end of a multi-frame the user data is replaced with the alignment character /A/ and will make this replacement even if character replacement occurred in the previous frame.

**Note:** Refer to section 5.3.3.4 of the JESD204B.01 specifications for more details.



## 2.2.2 ILA Sequence Generator

This block generates the initial lane alignment (ILA) sequence.

The first control symbol of every multi-frame in the ILA sequence is K28.0 (/R/) which indicates the start of the subsequence. The last control symbol of every frame in the ILA is /A/ which indicates the end of multi-frame. The receiver lane(s) align to the first /R/ symbol during initialization. The second frame of the multi-frame has the link configuration data. The control symbol K28.4 (/Q/) indicates that the next octet is the start of the link configuration data. The parameters in the link configuration data are used to indicate to the receiver device how the transmitter is configured. The parameter 'L' is set by lane number. For subclass 2 the adjustment information is calculated and send in PHADJ, ADJDIR and ADJCNT parameters of the link configuration data. Although the JESD204B.01 specification indicates that the checksum (FCHK) in the link configuration mapping is the sum of all the fields and not the sum of all the octets created by the mapping some data convertor manufactures have the checksum as the sum of all the octets. To cover both checksum types the parameter/generic FIELD\_OCTET can select which type of checksum to calculate.

When the SYNC Signal Decoding block detects a synchronization request the Alignment Character Generator block will transmit a stream of consecutive K28.5 (/K/) characters until the synchronization request has been completed and the TX Controller is ready to send the ILA sequence. When the synchronization request has been completed the TX Controller will start the ILA sequence at the start of the next frame clock boundary for subclass 0 and at the start of the next LMFC boundary for subclasses 1&2. This control over the ILA sequence is used for lane alignment and the receiver device uses this information to align its lanes. Since subclasses 1&2 start the ILA sequence at the start of the next LMFC boundary only the four multi-frames in the ILA sequence are required to align the receiver device lanes. However, since Subclass 0 starts the ILA sequence at the start of the next frame clock boundary additional alignment frames may be required for lane alignment. The parameter/generic ILA\_MFS indicates the number of multi-frames in the ILA sequence (default is 4). If any addition, alignment frames are required this parameter can be configured up to 256. The additional alignment frames will have control characters K28.7 (/F/) at the end of each frame and K28.3 (/A/) control characters at the end of each multi-frame.

**Note:** Refer to 5.3.3.5, 8.2 and 8.3 of the JESD204B.01 specifications for details.

## 2.2.3 SYNC Signal Decoding

This block controls the sync request by decoding the SYNC\_N signal.

At reset or power-on the transmitter goes through initialization and synchronization request is sent to the TX Controller. TX Controller will instruct the Alignment Character Generator to transmit K28.5 (/K/) characters during a synchronization request. When SYNC\_N de-asserts the synchronization request is complete, but transmission of /K/ characters will continue to the start of the next frame clock boundary for subclass 0 and to the start of the next LMFC boundary for subclasses: 1 and 2. If SYNC\_N is asserted for another 4 consecutive rising edge of the frame clock a re-initialization request is triggered and the same process as above is executed.

**Note:** Refer to section 8.4 of the JESD204B.01 specifications for details on SYNC signal decoding.

## 2.2.4 Clock Generator

This block generates the internal LMFC and frame clock. When subclass 1 is selected it also generates SYSREF\_OUT output and monitors SYSREF\_IN input for deterministic latency.

**Note:** More information can be found in the JESD204B.01 specifications. See Annexure G for clock generation information and section 6 for deterministic latency.

## 2.2.5 8B10B Encoder

This block encodes data using 8B10B encoding techniques. The ENCODER\_EN parameter is used to enable or disable the 8B10B encoder, fourth generation families require it to be enabled while PolarFire requires it to be disabled since this family of devices has a hard 8B10B encoder in the transceiver block.

The 8B10B encoder is a marriage of two sub-blocks, the 5b6b and the 3b4b encoders. It provides DC-balance, bounded disparity and clock recovery for the receiver. The purpose of the encoders is to convert 8-bit data into a 10-bit code. The 10-bit code contains an equal number of 0's and 1's. In addition, the code is built so that no more than five consecutive 0's or 1's is ever transmitted, if the parameter/generic SERDES\_MODE is set to 1 each lane has a 20-bit output, which will have two 10-bit codes. If SERDES\_MODE is set to 2 each lane has a 10-bit output, which will have one 10-bit.

## 2.2.6 TX Controller

This block controls the triggering of the ILA sequence, generation of alignment characters, and the data presented to the 8B10B encoder.

During a synchronization request this block will control the Alignment Character Generator (ACG) and it will transmit a stream of continuous K28.5 /K/ characters. The ACG data path is selected on the MUX and goes through to the 8B10B Encoder. The minimum generation of /K/ symbols is 1 frame and 9 octets. Once the receiver device aligns its bit boundaries to these /K/ characters the synchronization request will de-assert (that is, SYNC\_N goes HIGH). Then this block will control the ILA Sequence Generator and trigger the ILA sequence at the start of the next frame clock boundary for subclass 0 and to the start of the next LMFC boundary for subclasses 1 and 2. The ILA Sequence Generator data path is selected on the MUX and goes through to the 8B10B Encoder. When the ILA sequence has complete the ILA Sequence Generator informs this block and now user data can be transmitted so the data path changes the back to the ACG data.

This block also controls the character replacement. The behavior of the character replacement depends on if scrambling is enabled or disabled and is described below.

When scrambling is disabled, when the last octet in the current frame, not coinciding with the end of a multi-frame, equals the last octet in the previous frame, the transmitter will replace the current last octet and encode it as control character K28.7 (/F/). However, if an alignment character was already transmitted in the previous frame, the original octet will be encoded. When the last octet in the current frame at the end of a multi-frame equals the last octet in the previous frame, the transmitter will replace the current last octet and encode it as control character K28.3 (/A/), even if a control character was already transmitted in the previous frame.

When scrambling is enabled, when the last scrambled octet in a frame, but not at the end of a multi-frame, equals 0xFC, the transmitter will encode it as a control character /F/. When the last scrambled octet in a multi-frame equals 0x7C, the transmitter will encode it as a control character /A/.

**Note:** Refer to section 8.1 of the JESD204B.01 specifications for details.

## 2.2.7 Scrambler

This block scrambles data based on the polynomial  $1 + x^{14} + x^{15}$ .

Scrambling is enabled by setting parameter/generic SCR to 1. Scrambling must only be enabled if the receiver has descrambling enabled or the receiver can enable scrambling based on the link configuration parameters in the ILA sequence. Scrambling of data is used to avoid electromagnetic compatibility and interface problems in sensitive application. Spectral peaks are produced when the same data pattern is repeated over a period of time. This polynomial offers a period of 32,767 which is long enough to meet the spectral requirements of sensitive application. The scrambler is self-synchronous and also allows the descrambler in the receiver to synchronize within two octets. The reason scrambling is optional is because the digital operations of the interface cause switching noise which makes scrambling a disadvantage for some applications. Switching noise causes current spikes which cause sensitive analogue portions of the design to degrade or even malfunction.

More information can be found in the JESD204B.01 specifications. Refer to section 5.2 for information about scrambling and view Figure D.4 for the scrambler implementation.

## 2.3 Features

CoreJESD204BTX implements the transmitter interface of the JESD204B standard and has the following features:

- Supports 1 to 8 lanes
- Performs user-enabled scrambling
- Generates an initial lane alignment sequence
- Performs alignment character generation
- Sources link configuration data with user selected parameter values during initial lane synchronization sequence
- Performs the alignment character generation
- Performs user-enabled 8B10B encoding
- Supports Subclasses 0, 1, and 2
- Internal clock generation
- Sync~ signal decoding
- Supports data width of 16, 32, or 64 bits

**Note:** Octet to Frame Stream conversion is not performed by the core.

## 2.4 Core Version

This handbook is for CoreJESD204BTX version 3.0.

## 2.5 Supported Families

- PolarFire
- RTG4™
- SmartFusion®2
- IGLOO®2

## 2.6 Device Utilization and Performance

CoreJESD204BTX has been implemented in the following Microsemi device families. A summary of the implementation data for CoreJESD204BTX is provided in [Table 1](#).

**Table 1 • CoreJESD204BTX Utilization for Data Width 16 With Encoder**

Family	Tiles			Utilization		Performance (MHz)
	Sequential	Combinatorial	Total	Device	Total %	
RTG4	1749	1988	3737	RT4G150	2.46	178
SmartFusion2	1867	2015	3882	M2S150T	2.66	247
IGLOO2	1867	2015	3882	M2GL150T	2.66	247
PolarFire	1868	1982	3851	PA5M500	0.7	273

**Note:** Data in this table were achieved using synthesis and layout settings optimized from speed. The following parameters/generics were set: L=3, F=256, K=4, ENCODER\_EN = 1 & D\_WIDTH=16.

**Table 2 • CoreJESD204BTX Utilization for Data Width 32 With Encoder**

Family	Tiles			Utilization		Performance (MHz)
	Sequential	Combinatorial	Total	Device	Total %	
RTG4	3239	3458	6697	RT4G150	4.41	144
SmartFusion2	3394	3517	6911	M2S150T	4.73	200
IGLOO2	3394	3517	6911	M2GL150T	4.73	200
PolarFire	3396	3509	6905	PA5M500	1.24	273

**Note:** Data in this table were achieved using default synthesis and layout settings. The following parameters/generics were set: L=3, F=256, K=4, ENCODER\_EN = 1 & D\_WIDTH=32.

**Table 3 • CoreJESD204BTX Utilization for Data Width 64 With Encoder**

Family	Tiles			Utilization		Performance (MHz)
	Sequential	Combinatorial	Total	Device	Total %	
RTG4	6120	6129	12249	RT4G150	8.07	77
SmartFusion2	6450	7226	13676	M2S150T	9.36	163
IGLOO2	6450	7226	13676	M2GL150T	9.36	163
PolarFire	6843	7388	14231	PA5M500	2.56	217

**Note:** Data in this table were achieved using default synthesis and layout settings. The following parameters/generics were set: L=3, F=256, K=4, ENCODER\_EN = 1 & D\_WIDTH=64.

**Table 4 • CoreJESD204BTX Utilization for Data Width 16 Without Encoder**

Family	Tiles			Utilization		Performance (MHz)
	Sequential	Combinatorial	Total	Device	Total %	
PolarFire	953	1085	2038	PA5M500	0.37	321

**Note:** Data in this table were achieved using default synthesis and layout settings. The following parameters/generics were set: L=3, F=256, K=4, ENCODER\_EN = 0 & D\_WIDTH=16.

**Table 5 • CoreJESD204BTX Utilization for Data Width 32 Without Encoder**

Family	Tiles			Utilization		Performance (MHz)
	Sequential	Combinatorial	Total	Device	Total %	
PolarFire	1535	1680	3215	PA5M500	0.58	262

**Note:** Data in this table were achieved using default synthesis and layout settings. The following parameters/generics were set: L=3, F=256, K=4, ENCODER\_EN = 0 & D\_WIDTH=32.

**Table 6 • CoreJESD204BTX Utilization for Data Width 64 Without Encoder**

Family	Tiles			Utilization		Performance (MHz)
	Sequential	Combinatorial	Total	Device	Total %	
PolarFire	3090	3604	6694	PA5M500	1.11	207

**Note:** Data in this table were achieved using default synthesis and layout settings. The following parameters/generics were set: L=3, F=256, K=4, ENCODER\_EN = 0 & D\_WIDTH=64.

### 3 Functional Description

CoreJESD204BTX, shown in Figure 2, consists of optional scrambling, ILA sequence/alignment character generation, SYNC\_N signal decoding, optimal 8B10B encoding, and clock generation.

#### 3.1 Data Link Layer

CoreJESD204BTX implements the JEDEC JESD204B transmitter interface.

Figure 2 • Data Link Layer

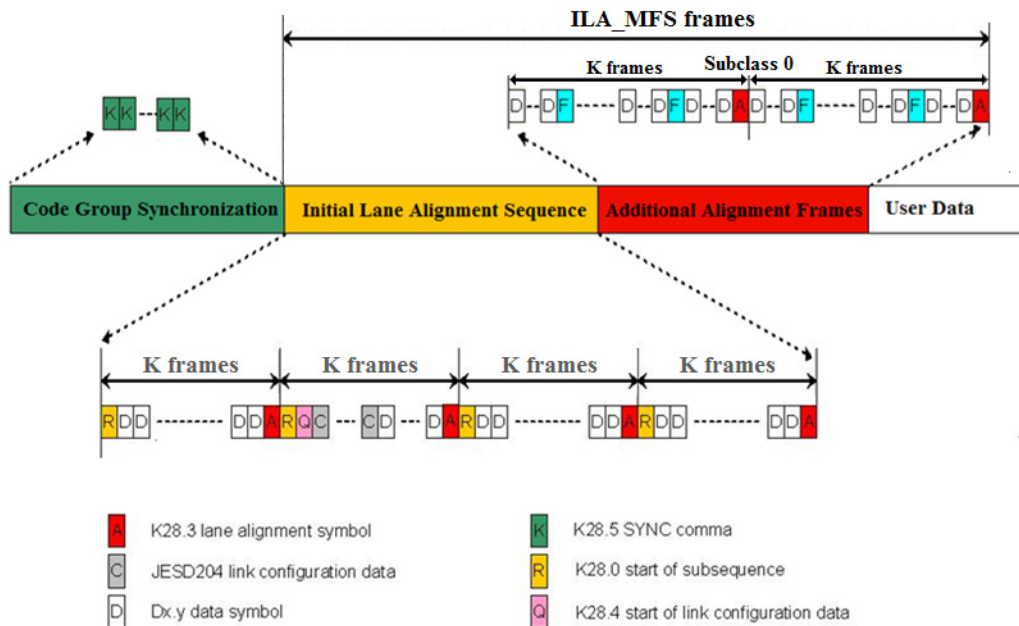


Figure 2 shows the data link layer of CoreJESD204BTX. Code Group Synchronization (CGS) is triggered when the receiver issues a synchronization request via the synchronization interface. During a synchronization request the transmitter emits a continuous stream of K28.5 (/K/) control symbols. The receiver will then align its bit boundaries to this symbol and will deactivate the synchronization request when it receives at least four successive /K/ symbols. Then the Initial Lane Alignment (ILA) sequence is transmitted. The first control symbol of every multi-frame in the ILA sequence is K28.0 (/R/) which indicates start of the subsequence.

The last control symbol of every frame in the ILA is K28.3 (/A/) which indicates the end of multi-frame. The receiver lane(s) align to the symbol during initialization. The second frame of the multi-frame has the link configuration data. The control symbol K28.4 (/Q/) indicates that the next octet is the start of the link configuration data or configure it to these values. Subclass 0 support addition, alignment frames, if more frames are required for alignment. The additional alignment frames will have K28.7 (/F/) symbols at the end of the frame and /A/ symbols at the end of multi-frame. After alignment completes the user data can be transmitted.

## 3.2 JESD204B Sub-classes

CoreJESD204BTX supports sub-class 0, 1, and 2. A summary of each subclass is given below.

### 3.2.1 Sub-class 0

Sub-class 0 allows the device to be backward compatible with the JESD204A standard. It offers no support for deterministic latency.

### 3.2.2 Sub-class 1

Subclass 1 offers support for deterministic latency using SYSREF signaling.

During a synchronization request SYSREF\_OUT will only assert at the start of a LMFC period and when SYNC\_N is asserted. The assertion of SYSREF\_OUT indicates to the receiver when the start of a LMFC period occurs. The receiver has the option to shift the phase of its internal clocks based on SYSREF\_OUT assertion. The minimum duration SYSREF\_OUT will assert for is a quarter of a LMFC period.

The assertion of SYSREF\_IN input indicates the start of a LMFC period in the transmitter. During a synchronization request the receiver asserts SYNC\_N and when SYSREF\_IN asserts it will cause LMFC and frame clock to phase shift to sync to the receivers LMFC period for deterministic latency support. When SYNC\_N is de-asserted any assertion of SYSREF\_IN will be ignored so that the LMFC and frame clock positions are locked.

### 3.2.3 Sub-class 2

Sub-class 2 is similar to sub-class 1 except it offers support for deterministic latency using SYNC~sampling.

The de-assertion of SYNC\_N is synchronous to the internal frame clock and will only occur at the LMFC boundary. This control means that the LMFC phase information is sent to the transmitter device through the SYNC interface. The de-asserts of SYNC\_N relative to its LMFC and the correction information shall be contained in PHADJ, ADJDIR and ADJCNT parameters on the link configuration data. The adjustment resolution is set to 1 clock tick (that is, two octets) in the transmitter and is stored in ADJCNT. When PHADJ is set (= 1) a phase adjust has been requested by the transmitter. ADJDIR value indicates an advance (= 0) or delay (= 1) adjustment. Since The receiver device has the option to make adjustments based on the adjustment information received in the link configuration data. If the receiver is a logic device, there are no requirements to adjust the LMFC phase, but if the receiver is a convertor device, it shall be able to adjust its LMFC phase when PHADJ is set (=1) and will make the adjustments based of the information in ADJDIR and ADJCNT.

**Note:** More information about deterministic latency can be found in section 6 of the JESD204B.01 specifications.

## 3.3 SERDES Interface

For fourth generation family devices CoreJESD204BTX will be connected to the transmitter lanes of the SERDES interface macro. The SERDES interface will be in EPCS mode because this macro will be used as a standalone SERDES. EPCS mode has two default data rates: 1.25 Gbps and 2.5 Gbps per lane. This means 10 Gbps can easily be achieved across the 4 lanes of CoreJESD204BTX. The SERDES interface can be reconfigured through the APB interface to allow EPCS mode to achieve higher data rates.

For PolarFire family devices the SERDES has a hardened 8B10B encoder which means CoreJESD204BTX can be configured with its encoder removed (that is, ENCODER\_EN = 0). CoreJESD204BTX will connect to the 8B10B interface on the SERDES. The PolarFire SERDES can be configured up to 64bit data width (8 octets) and CoreJESD204BTX supports this data width which means up to 12.5Gbps data rate is achievable per lane.

## 4 Interface

### 4.1 Configuration Parameters

CoreJESD204BTX has parameters (Verilog) or generics (VHDL) for configuring the RTL code, described in Table 7. All parameters and generics are integer types.

**Table 7 • CoreJESD204BTX Parameters and Generics Descriptions**

Name	Range	Default Value	Description
CF	0 to 32	0	Number of control words per frame clock period per link. <i>CF</i> shall always be encoded as 31: control words on all lanes. <i>CF</i> =31 can only occur when <i>L</i> =31
CS	0 to 3	0	Number of control bits per sample
F	2 to 256	2	Number of octets per frame
HD	0 to 1	0	High density format
JESDV	0, 1	1	JESD204 version
			0: JESD204A
			1: JESD204B
K	4 to 32	9	Number of frames per multi-frame
L	0 to 7	0	Number of lanes per converter device (link) <b>Note:</b> L+1= No. of lanes
M	1 to 256	1	Number of converters per device
N	1 to 32	16	Converter resolution
N'	1 to 32	16	Total number of bits per sample
S	1 to 32	2	Number of samples per converter per frame cycle
SCR	0 to 1	1	Scrambling enabled
SUBCLASSV	0 to 2	0	Device subclass version
			0: Subclass 0
			1: Subclass 1
			2: Subclass 2
ILA_MFS	4 to 256	4	Initial lane alignment, multi-frame size. Minimum size is 4; however, more frames may be needed for the receive to align its lane(s).
FIELD_OCTET	0 to 1	1	Configuration Options parameter which selects how the FCHK (checksum) of the link configuration parameters will be calculated  0: Field addition 1: Octet addition
SERDES_MODE	1 to 2	1	Configuration Options parameter which selects the width of the input data 1 : ((D_WIDTH/8) * 10) 2 : 10bit (when ENCODER_EN = 1), : 8bit (when ENCODER_EN = 0) <b>Note:</b> When SERDES_MODE=2 LANE_CLK is a slower frequency than EPCS Tx Clock.

**Table 7 • CoreJESD204BTX Parameters and Generics Descriptions**

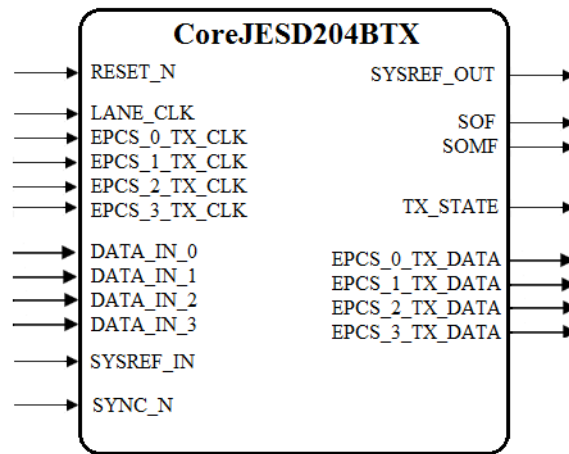
D_WIDTH	16, 32, or 64	16	Configuration Options parameter which selects the user data width. 0 : 16bit (2 octet) 1 : 32bit (4 octet) 2 : 64bit (8 octet)
ENCODER_EN	0 to 1	1	Configuration Options parameter which includes or removes the encoder from the core. 0 : Removed 1 : Included

**Note:** A multiframe is defined as a group of K successive frames, which are made up of F successive octets, where K is valid from 4 to 32 and F is valid from 2 and 256, such that the number of octets per multiframe is between 18 and 1024.

## 4.2 I/O Signals

The port signals for the CoreJESD204BTX macro are shown in Figure 3 and Figure 4.

**Figure 3 • CoreJESD204BTX I/O Signal Diagram (4 lanes) with Encoder**



**Figure 4 • CoreJESD204BTX I/O Signal Diagram (4 lanes) without Encoder**

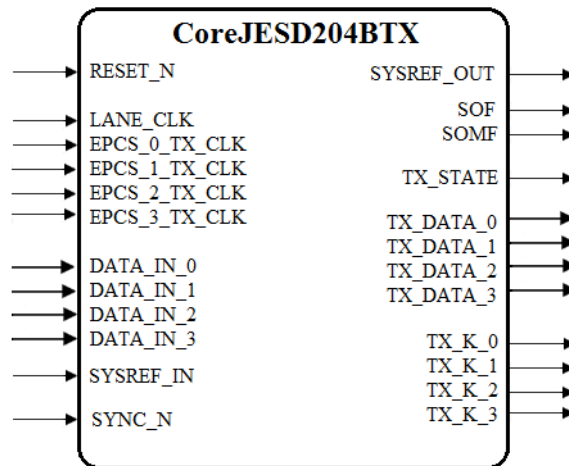




Table 8 • CoreJESD204BTX I/O Signal Descriptions

Name	Width	Direction	Description
RESET_N	1	In	This active low reset will reset the core to its initial state.
<b>External PCS Transmitter Interface</b>			
EPCS_[n]_TX_CLK	1	In	This is the clock for lane [n]. <b>Note:</b> [n] = 0 to 7
EPCS_[n]_TX_DATA	10, ((D_WIDTH/8)*10)	Out	EPCS transmitter channel [n] data. This output should match with the width of the EPCS receiver channel on the SERDES.  If SERDES_MODE = 2 then Width = 10 If SERDES_MODE = 1 then Width = (D_WIDTH/8)*10 When ENCODER_EN=0 this signal is tied low. <b>Note:</b> [n] = 0 to 7
<b>8B10B Encoder Interface</b>			
TX_DATA_[n]	8, D_WIDTH	Out	8b10b data for channel 0 data. This output should match with the width of the 8b10b encoder on the SERDES.  If SERDES_MODE = 2 then Width = 8 If SERDES_MODE = 1 then Width = D_WIDTH When ENCODER_EN=1 this signal is tied low. <b>Note:</b> [n] = 0 to 7
TX_K_[n]	1, (D_WIDTH/8)	Out	8b10b K control for channel 0 data.  If SERDES_MODE = 2 then Width = 1 If SERDES_MODE = 1 then Width = D_WIDTH/8 When ENCODER_EN=1 this signal is tied low. <b>Note:</b> [n] = 0 to 7
<b>JESD204B Tx Interface</b>			
DATA_IN_[n]	D_WIDTH	In	This is the input data to be transmitted on lane [n]. <b>Note:</b> [n] = 0 to 7
SYSREF_IN	1	In	This is the sysref input signal used by JESD204B subclass 1.
SYSREF_OUT	1	Out	This is the sysref output signal generated from inside the core. This or an external sysref signal is tied to SYSREF of the receiver or it can be used to loopback into the SYSREF_IN of the transmitter on a number of factors. (Subclass 1 only).

LANE_CLK	1	In	<p>This is the clock all lanes will sync to internally in the IP core. Only when parameter/generic SERDES_MODE = 2 is when it differs from EPCS*_TX_CLK.</p> <p>When SERDES_MODE = 2, EPCS*_TX_CLK to LANE_CLK ratio's are as follows.</p> <p>2:1 when D_WIDTH = 16bit          4:1 when D_WIDTH = 32bit          8:1 when D_WIDTH = 64bit</p> <p>When SERDES_MODE = 1, EPCS*_TX_CLK to LANE_CLK ratio is 1:1</p>
SYNC_N	1	In	<p>When asserted, the transmitter goes into its initial state and will start the ILA sequence.</p> <p><b>Note:</b> The "_N" in the name represents active low and not the negative of a differential. When connecting to a differential input this signal must be connected to the positive rail on to the Y output of a INBUF_DIFF macro.</p>
TX_STATE	2	Out	<p>Monitors the current state of the transmitter.</p> <p>SYNC_ST          INIT_LANE_ST          DATA_ENC_ST          Invalid state</p>
SOF	(D_WIDTH/8)	Out	Monitors when start-of-frame occurs on all lanes.
SOMF	(D_WIDTH/8)	Out	Monitors when start-of-multi-frame occurs on all lanes.

**Note:** Different combinations of these IO's will be exposed depending on ENCODER\_EN value.

## 5 Tool Flow

### 5.1 License

CoreJESD204BTx is license locked with a RTL license.

#### 5.1.1 RTL

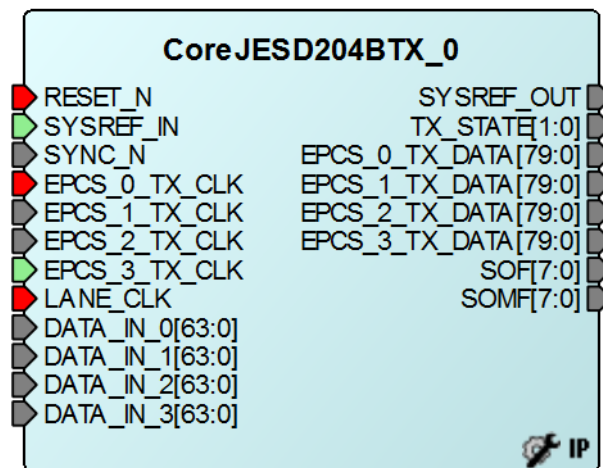
Complete register transfer level (RTL) source code is provided for the core and testbenches.

### 5.2 SmartDesign

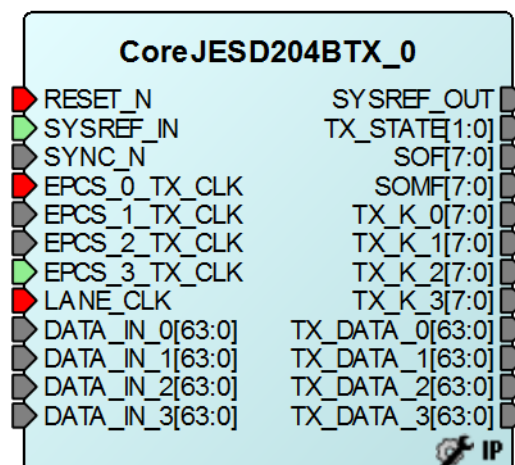
CoreJESD204BTX is pre-installed in the SmartDesign IP deployment design environment.

The core should be configured using the configuration GUI within the SmartDesign tool, as shown in [Figure 7](#). For information on using SmartDesign to instantiate and generate cores, refer to the [Libero SoC Online Help](#) for instructions on obtaining IP documentation.

**Figure 5 • CoreJESD204BTX Full I/O View (4 lanes) with Encoder**



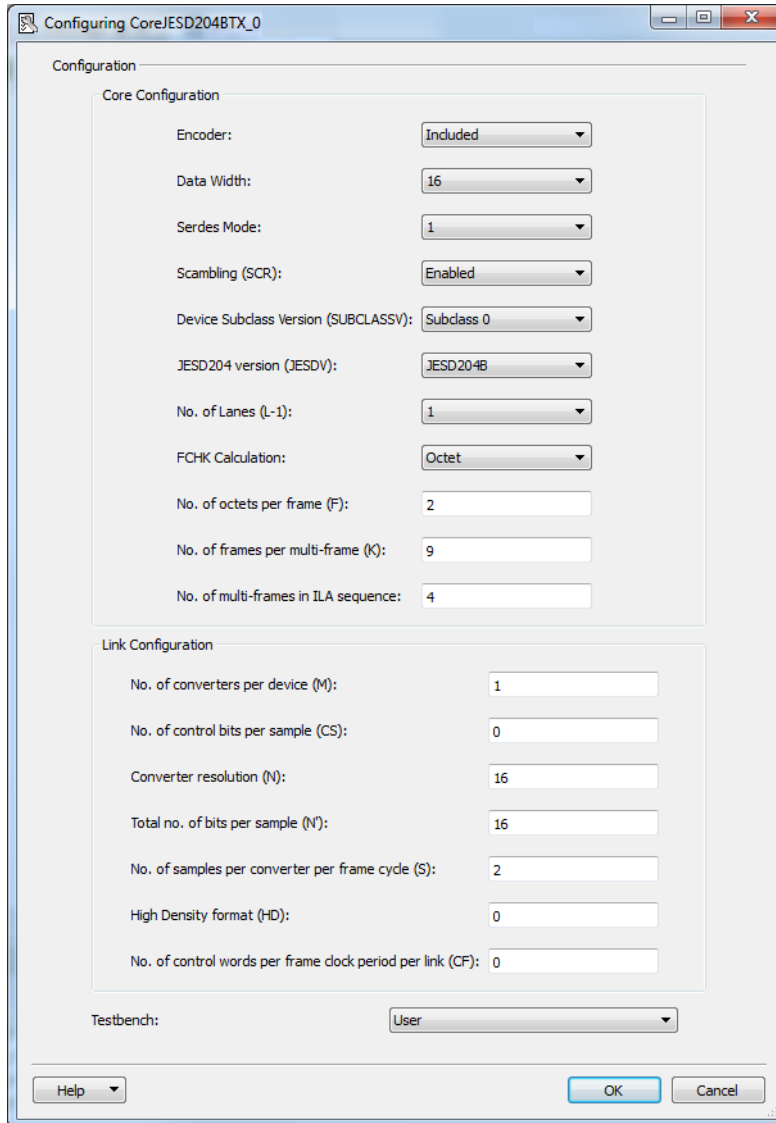
**Figure 6 • CoreJESD204BTX Full I/O View (4 lanes) without Encoder**



## 5.3 Configuring CoreJESD204BTX in SmartDesign

The core can be configured using the configuration GUI within SmartDesign. An example of the GUI for the SmartFusion2 family is shown in [Figure 7](#).

**Figure 7 • CoreJESD204BTX SmartDesign Configuration GUI**



Configuring CoreJESD204BTX\_0

Configuration

Core Configuration

Encoder: Included

Data Width: 16

Serdes Mode: 1

Scrambling (SCR): Enabled

Device Subclass Version (SUBCLASSV): Subclass 0

JESD204 version (JESDV): JESD204B

No. of Lanes (L-1): 1

FCHK Calculation: Octet

No. of octets per frame (F): 2

No. of frames per multi-frame (K): 9

No. of multi-frames in ILA sequence: 4

Link Configuration

No. of converters per device (M): 1

No. of control bits per sample (CS): 0

Converter resolution (N): 16

Total no. of bits per sample (N): 16

No. of samples per converter per frame cycle (S): 2

High Density format (HD): 0

No. of control words per frame clock period per link (CF): 0

Testbench: User

Help OK Cancel

## 5.4 Simulation Flows

The User Testbench for CoreJESD204BTX is included in all releases.

To run simulations, select the **User Testbench** flow within the SmartDesign CoreJESD204BTX configuration GUI, right-click the canvas, and select **Generate Design**.

When SmartDesign generates the design files, it installs the user testbench files.

To run the user testbench, set the design root to the CoreJESD204BTX instantiation in the Libero SoC design hierarchy pane and click **Simulation** in the **Libero SoC Design Flow** window. This invokes ModelSim® and automatically runs the simulation.

## 5.5 Synthesis in Libero

After setting the design root appropriately for your design, click **Synthesis** in the Libero SoC software. The **Synthesis** window appears, displaying the Synplicity® project. Set Synplicity to VHDL 2008 standard if VHDL is being used. To run Synthesis, click **Run**.

## 5.6 Place-and-Route in Libero

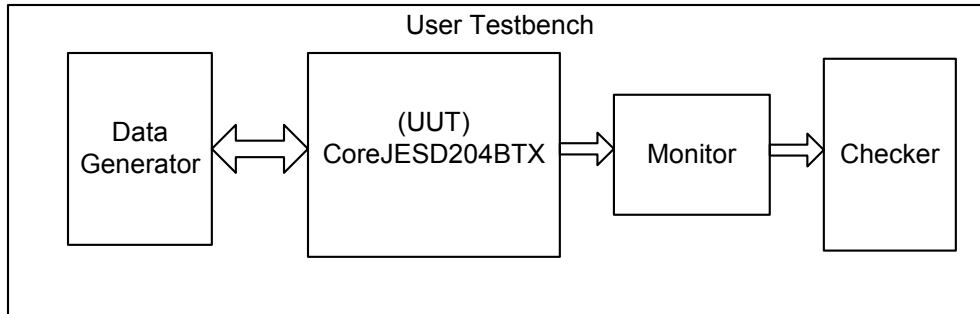
After setting the design root appropriately for your design, and running Synthesis, click **Layout** in the Libero SoC software to invoke Designer. CoreJESD204BTX requires no special place-and-route settings.

## 6 Testbench

---

CoreJESD204BTX user testbench gives an example of how to use the core.

**Figure 8 • CoreJESD204BTX User Testbench**



The simulation testbench shown in [Figure 8](#) includes an instantiation of the CoreJESD204BTX macro, data generation, data monitor, and checker. Because the data on the output of the CoreJESD204BTX core is 8B10B encoded and scrambled, the user testbench is only used to test the core in a fixed configuration for each sub-class. The purpose of the testbench is to test the functionality of the core by inputting known data, monitoring the output, and checking for expected results.

## 7 Product Support

---

Microsemi SoC Products Group backs its products with various support services, including Customer Service, Customer Technical Support Center, a website, electronic mail, and worldwide sales offices. This appendix contains information about contacting Microsemi SoC Products Group and using these support services.

### 7.1 Customer Service

Contact Customer Service for non-technical product support, such as product pricing, product upgrades, update information, order status, and authorization.

From North America, call **800.262.1060**

From the rest of the world, call **650.318.4460**

Fax, from anywhere in the world, **408.643.6913**

### 7.2 Customer Technical Support Center

Microsemi SoC Products Group staffs its Customer Technical Support Center with highly skilled engineers who can help answer your hardware, software, and design questions about Microsemi SoC Products. The Customer Technical Support Center spends a great deal of time creating application notes, answers to common design cycle questions, documentation of known issues, and various FAQs. So, before you contact us, please visit our online resources. It is very likely we have already answered your questions.

### 7.3 Technical Support

For Microsemi SoC Products Support, visit

<http://www.microsemi.com/products/fpga-soc/design-support/fpga-soc-support>.

### 7.4 Website

You can browse a variety of technical and non-technical information on the Microsemi SoC Products Group home page, at <http://www.microsemi.com/products/fpga-soc/fpga-and-soc>.

### 7.5 Contacting the Customer Technical Support Center

Highly skilled engineers staff the Technical Support Center. The Technical Support Center can be contacted by email or through the Microsemi SoC Products Group website.

#### 7.5.1 Email

You can communicate your technical questions to our email address and receive answers back by email, fax, or phone. Also, if you have design problems, you can email your design files to receive assistance. We constantly monitor the email account throughout the day. When sending your request to us, please be sure to include your full name, company name, and your contact information for efficient processing of your request.

The technical support email address is [soc\\_tech@microsemi.com](mailto:soc_tech@microsemi.com).

#### 7.5.2 My Cases

Microsemi SoC Products Group customers may submit and track technical cases online by going to [My Cases](#).

#### 7.5.3 Outside the U.S.

Customers needing assistance outside the US time zones can either contact technical support via email ([soc\\_tech@microsemi.com](mailto:soc_tech@microsemi.com)) or contact a local sales office. Visit [About Us](#) for [sales office listings](#) and [corporate contacts](#).

## 7.6 ITAR Technical Support

For technical support on RH and RT FPGAs that are regulated by International Traffic in Arms Regulations (ITAR), contact us via [soc\\_tech@microsemi.com](mailto:soc_tech@microsemi.com). Alternatively, within My Cases, select **Yes** in the ITAR drop-down list. For a complete list of ITAR-regulated Microsemi FPGAs, visit the ITAR web page.